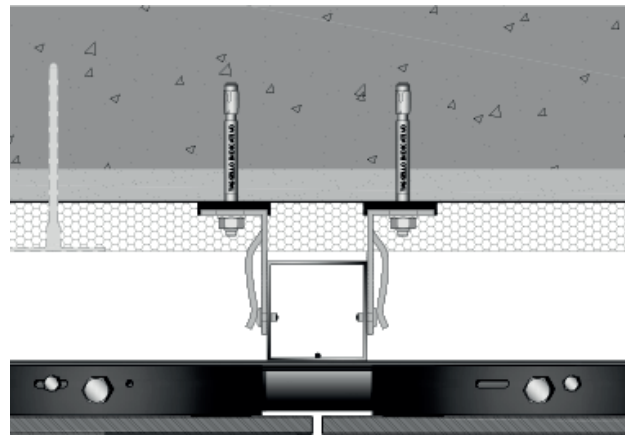


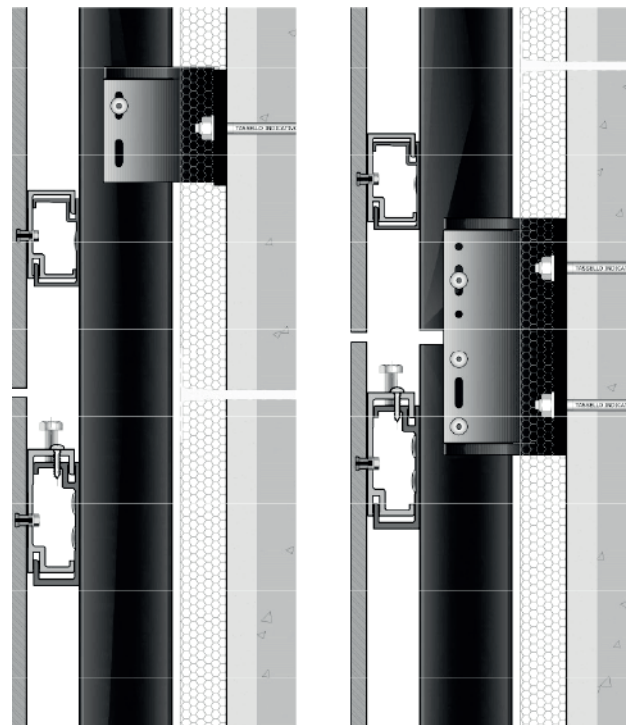
# GHS MAXI

## CONCEALED MECHANICAL SYSTEM 10 TO 12 MM THICK LARGE FORMAT TILES

HORIZONTAL SECTION



VERTICAL SECTION



**GHS Maxi ventilated facades** consist of the following components:

- L-section **anchor bracket**, with **stainless steel anchor bolts** and **thermal spacer** to be positioned between the anchor bracket and the building wall.
- Black painted T-section **uprights**.
- Painted C-section **cross pieces with wind bracing**, and suitably larger **sealed C-section cross pieces**.
- **Concealed fixing accessories for tiles**, complete with **gasket**, **controlled expansion mechanical anchors** and **truncated-tapered holes** on the tiles.
- **10 to 12mm thick porcelain tiles**, with a continuous vertical joint or staggered vertical joints